

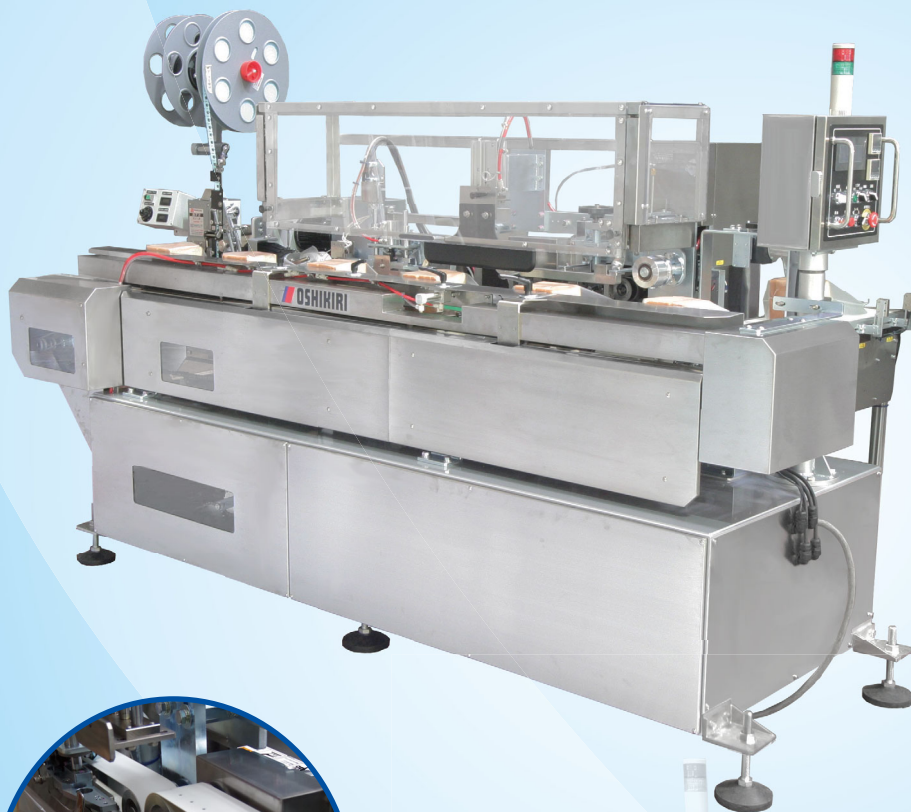
# Heat Sealer

## Model YC

**Bag wrinkle remover**

**Bag can be sealed without wrinkle !!**

Width of Bag wrinkle remover can be adjusted.



### To stabilize the opening of bag.

◎ In order to insert rods into bag securely, vacuum belts are placed at the top and the bottom at previous step. Vacuum belts hold the opening of bag securely.

### Wrinkle remover is adopted.

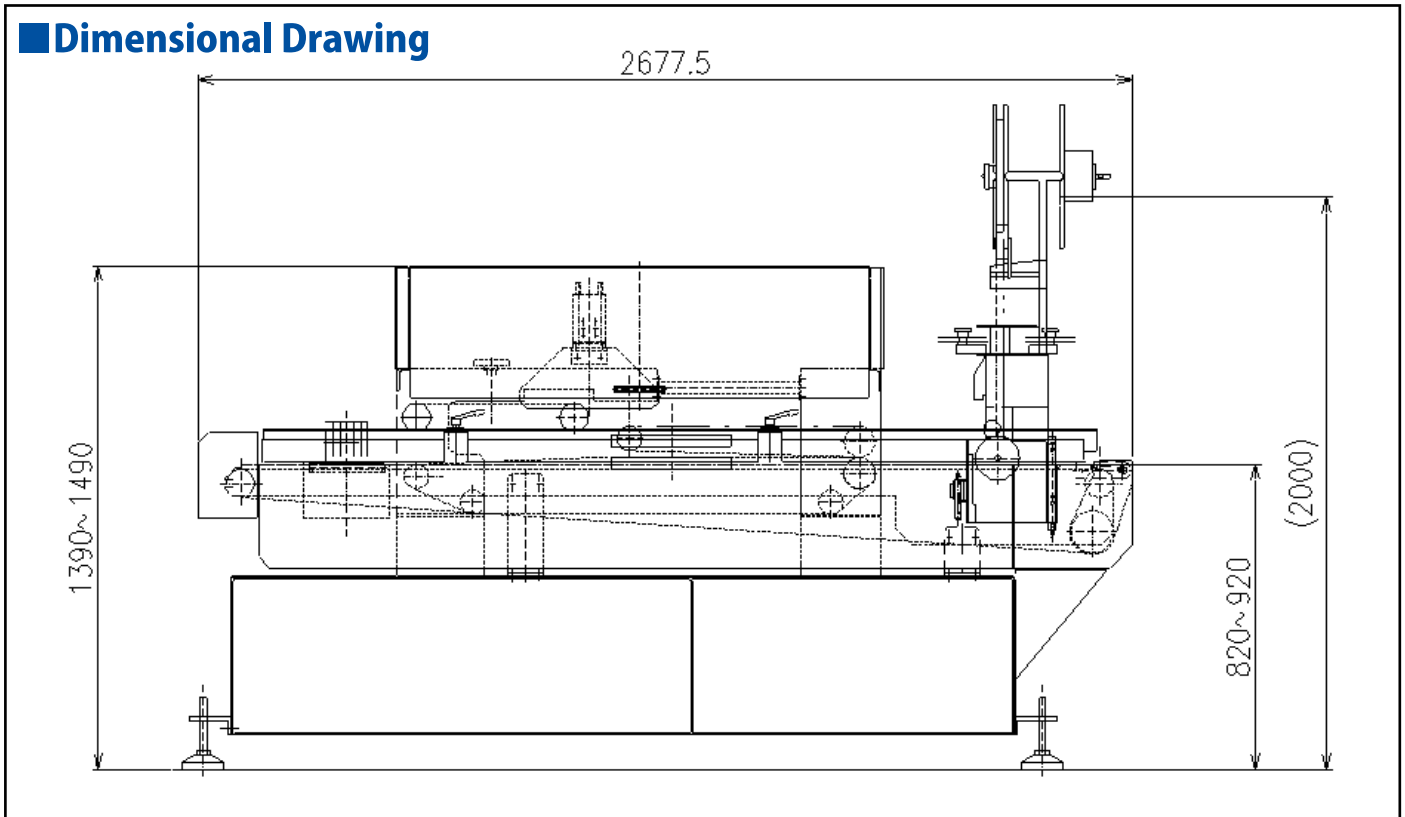
◎ Timing belt and servo-motor are used for wrinkle remover. Wrinkle remover can be easily changed by touch panel according to a bag width.

◎ Defect rate at wrinkle remover by air pressure fluctuation can be reduced by using air cylinder.



**OSHIKIRI**

## ■ Dimensional Drawing



## ■ Specifications

Model	YC1600D	YC3600D
Capacity	Max 55 loaf / min	
Dimensions	L 2.47m W 1.22m H 1.49~1.59m	L 2.68m W 1.49m H 1.39~1.49m
Power Source	AC200V 3Phases 6kW	
Air Consumption (Primary side)	400L/min 0.5Mpa	
Machine weight	600Kg	

Note) Specifications and dimensions may be subject to change without prior notice.

Note) Supply voltage is in accordance with the one in the country machine is used.

Transformer might be needed according to the specifications.

## OSHIKIRI MACHINERY LTD.

<https://www.oshikiri.com/>

4, Kirihara-cho, Fujisawa-shi, Kanagawa, 252-0811 Japan  
Phone: 0466-44-6184 Fax: 0466-44-6187 E-mail: intl@oshikiri.com

Oshikiri Corporation of America

10425 Drummond Road, Philadelphia, Pennsylvania 19154-3898  
Phone: 215-637-6005 Fax: 215-637-6041 E-mail: oshikiri-production@msn.com



OSHIKIRI Website