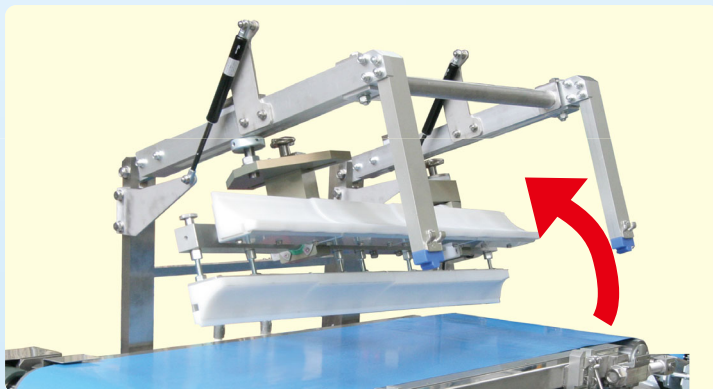


Model VR

Variable rounder



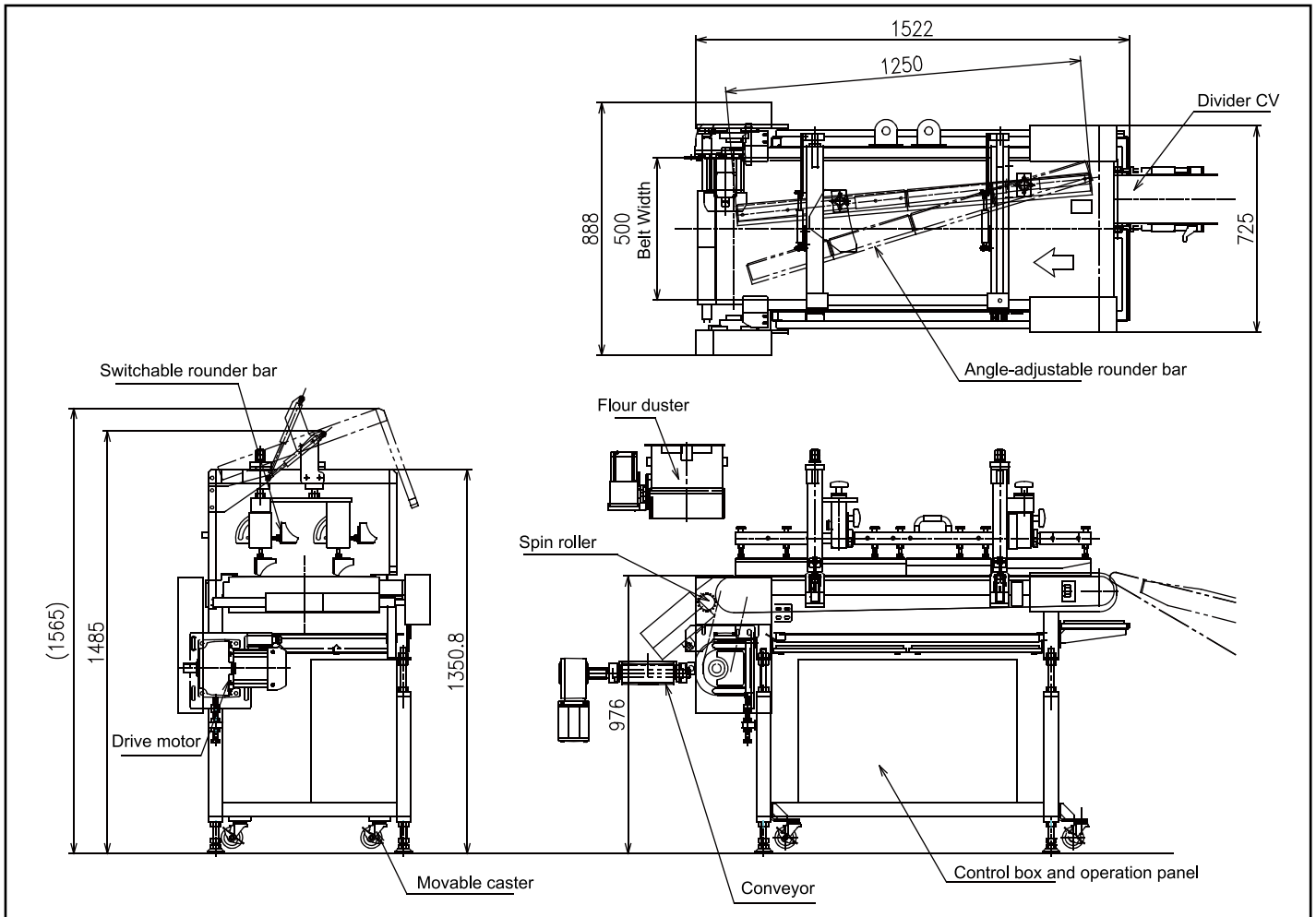
Just one VR rounder can be used for both Sweet bread and White bread



- Raisin dough also can be rounded due to adjustable rounder bar
- Lift-up rounder bar shortens cleaning time and preparation time.

Variable rounder

Model VR



■ Specifications

Capacity	Max 3000 pcs/h
Dough weight range	30~100g (future : 230g)
The number of bars	2 bars (replaceable, lift-up structure)
Number of Row	1 rows
Length of rounder bar	1250~2300mm (Depends on specifications)
Motor capacity	1.5kw or 0.75kw (Depends on specifications)
Example used Dough	Raisin bread, Juice bread, English muffin
Belt color	Blue
notes	Spin roller mounted, movable flour duster, stainless steel frame

Note) Specifications and dimensions are subject to change without prior notice.

Note) Transformer might be needed depending upon the specifications.

OSHIKIRI MACHINERY LTD.

<https://www.oshikiri.com/>

4, Kirihara-cho, Fujisawa-shi, Kanagawa, 252-0811 Japan
 Phone: 0466-44-6184 Fax: 0466-44-6187 E-mail: intl@oshikiri.com

Oshikiri Corporation of America
 10425 Drummond Road, Philadelphia, Pennsylvania 19154-3898
 Phone: 215-637-6005 Fax: 215-637-6041 E-mail: oshikiri-production@msn.com



OSHIKIRI Website