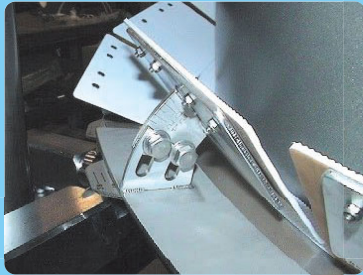


# Vertical Rounder Model RV 200/500



## Point 1

Track angle adjustable

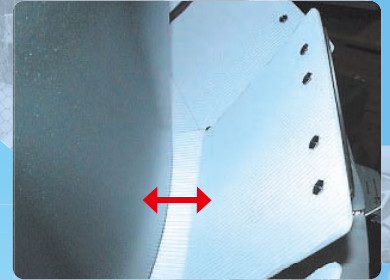


## Point 3

Follow-up track tip rail

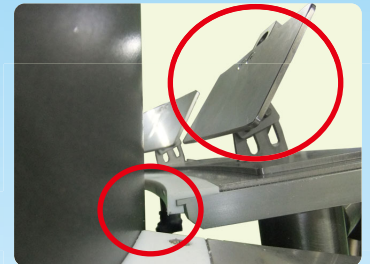


Model RV200



## Point 2

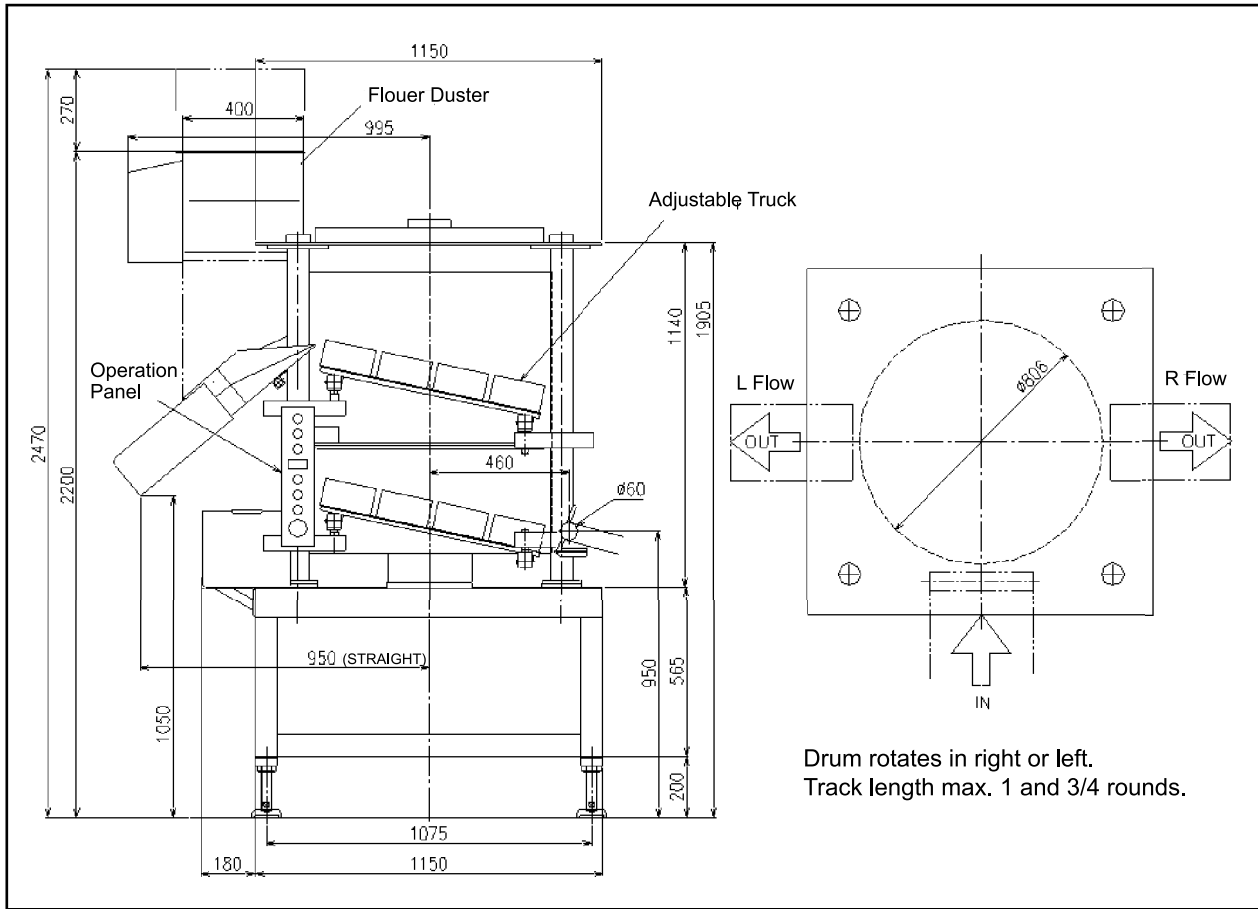
Track distance adjustable



## Point 4

Better cleaning

- **Development of high rigid stainless steel drum**  
Improve the material construction of cylindrical drum and rigidity enduring recoating.  
Special coating on the surface.  
Longer life (20,000 hour or more)
- **Adjustable track as standard**  
Adjustable distance between track and cylindrical drum, and track angle.  
Optimum rounding.
- **Follow-up track tip rail**  
Eliminate deviation clearance between traveling face and drum much less dough leaking.
- **Better cleaning**  
There is enough space at each section.  
Further, rounding plates can be released for easy cleaning.



## ■ Specifications

Model	RV 200	RV 500
Rounding weight	30 - 250g (based on soft dough)	250 - 500g (based on soft dough)
Capacity	8000 pcs/h in case of 30g	6000 pcs/h in case of 250g
Power Source	AC200V 3Phases	
Motor output	Drum motor 3.7kW (VFD 5.5kW)	
	Flour duster motor 0.1kW (VFD 0.1kW)	
Air Consumption (Option)	300L/min 0.5MPa	
Machine weight	Approx. 1000kg	

### [STANDARD SPECIFICATIONS]

- Flour duster
- Doubled dough pieces catch pan

### [OPTION]

- Air blow nozzle (required air at primary side)

Note) Specifications and dimensions are subject to change without prior notice.

Note) Transformer might be needed depending upon the specifications.

**OSHIKIRI MACHINERY LTD.** <https://www.oshikiri.com/>

4, Kirihara-cho, Fujisawa-shi, Kanagawa, 252-0811 Japan  
 Phone: 0466-44-6184 Fax: 0466-44-6187 E-mail: intl@oshikiri.com

Oshikiri Corporation of America  
 10425 Drummond Road, Philadelphia, Pennsylvania 19154-3898  
 Phone: 215-637-6005 Fax: 215-637-6041 E-mail: oshikiri-production@msn.com

