

Model RKM Conical Rounder

Secure and speedy rounding!!

Two types of tracking
and five kinds of models

Rounding track
3/4 circumference

Model

RKM-300

RKM-500

RKM-800

Rounding track
1-4/1 circumference

Model

RKM-S-500

RKM-S-800

Optional items

- Rounder base
- Dust prevention cover
- Scraper
- Flour duster hopper
- Rounding aid is available
- Additional grooves in the cone

The tracking is designed to proper shape to the dough from infeed to discharge and to be extremely smooth rounding.



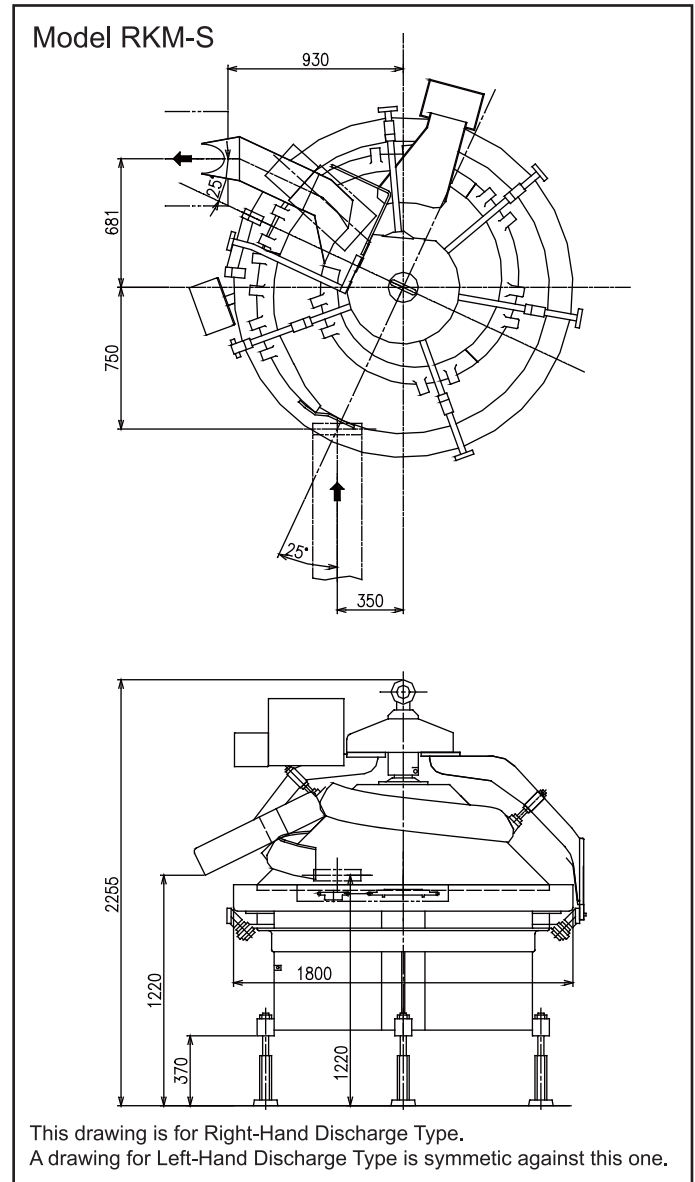
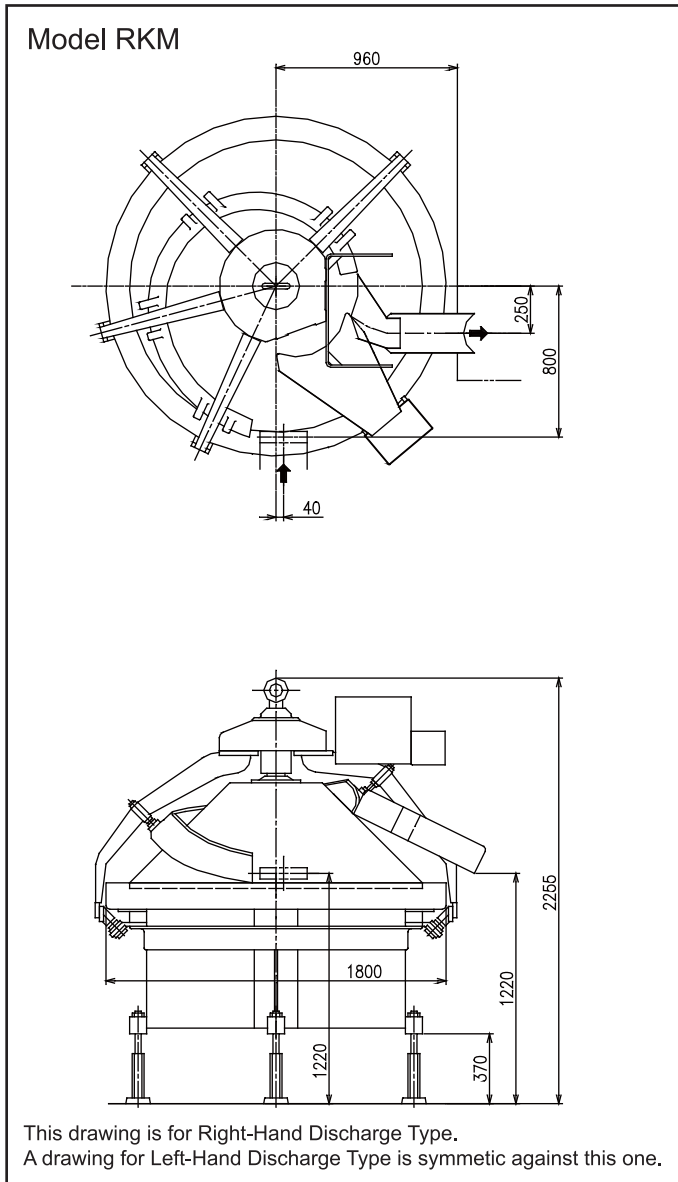
Teflon coated or riveted inner track surface provides you sanitary operation.

- Consistent flour dusting in accordance with production rate.
- Diverts direction freely as a mediate between divider and proofer.

OSHIKIRI

Conical Rounder

Model RKM



Specifications

Model	RKM-300	RKM-500	RKM-800	RKM-S-500	RKM-S-800
RENGE	200 to 300g	300 to 500g	500 to 800g	300 to 500g	500 to 800g
ROUNDING TRACK	3/4 circumference			1-1/4 circumference	
CAPACITY	9000 (12000) pcs/h				
MAIN MOTOR	3.7kW - 4P(Variable Frequency Drive)				
SIFTER MOTOR	0.1kW - 4P (Variable Frequency Drive)				
WEIGHT	2300kg				

Note) Specifications and dimensions may be subject to change without prior notice.

Note) Supply voltage is in accordance with the one in the country machine is used.

Transformer might be needed according to the specifications.

OSHIKIRI MACHINERY LTD. <https://www.oshikiri.com/>

4, Kirihara-cho, Fujisawa-shi, Kanagawa, 252-0811 Japan
Phone: 0466-44-6184 Fax: 0466-44-6187 E-mail: intl@oshikiri.com

Oshikiri Corporation of America
10425 Drummond Road, Philadelphia, Pennsylvania 19154-3898
Phone: 215-637-6005 Fax: 215-637-6041 E-mail: oshikiri-production@msn.com