

Model RK Conical Rounder

Secure and speedy rounding!!



Two types of tracking
and four kinds of models

for Buns & rolls

Model

RK-200

RK-250

for White bread

Model

RK1-300

RK1-500

Rounding track designed in one piece without any joints provides you extremely smooth rounding.

Teflon coated or riveted inner track surface provides you sanitary operation.

- Consistent flour dusting in accordance with production rate.
- Diverts direction freely as a mediate between divider and proofer.
- Applicable for second rounder for degassing.

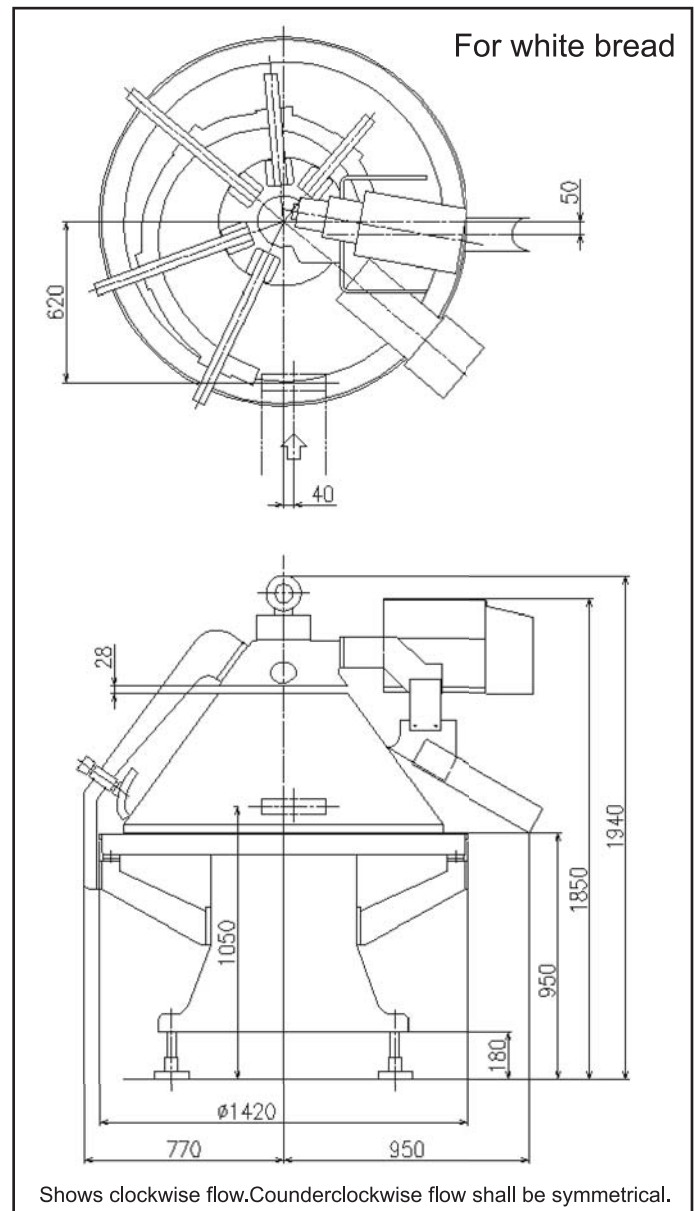
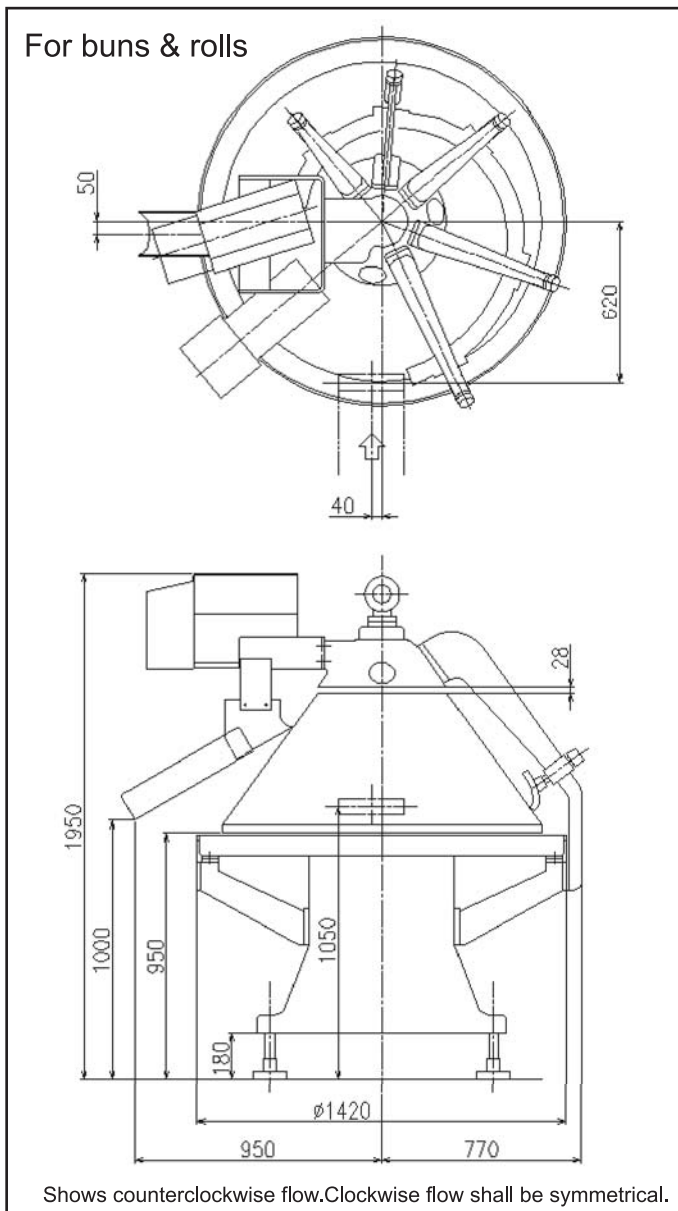
Optional items

- Rounder base (100mm up)
- Blower
- Dust prevention cover
- Scraper
- Inverter speed change

OSHIKIRI

Conical Rounder

Model RK



Specifications

	For buns & rolls		For white bread	
Model	RK-200	RK-250	RK1-300	RK1-500
Capacity (pcs/h)	7200	7200	6000	5000
Rounding weight (g)	30-200	30-250	200-300	300-500
Drive motor	1.5kW 4P			
Power Source	AC200V 3Phases			
Flour duster motor	0.1kW (Variable Frequency Drive)			
Machine weight	Approx. 1200kg			
Flour duster capacity	25 liters			

Note) Specifications and dimensions may be subject to change without prior notice.

Note) Supply voltage is in accordance with the one in the country machine is used.

Transformer might be needed according to the specifications.

OSHIKIRI MACHINERY LTD.

<https://www.oshikiri.com/>

4, Kirihara-cho, Fujisawa-shi, Kanagawa, 252-0811 Japan

Phone: 0466-44-6184 Fax: 0466-44-6187 E-mail: intl@oshikiri.com

Oshikiri Corporation of America

10425 Drummond Road, Philadelphia, Pennsylvania 19154-3898

Phone: 215-637-6005 Fax: 215-637-6041 E-mail: oshikiri-production@msn.com