

MINI MOULDER

MJ

NEW!



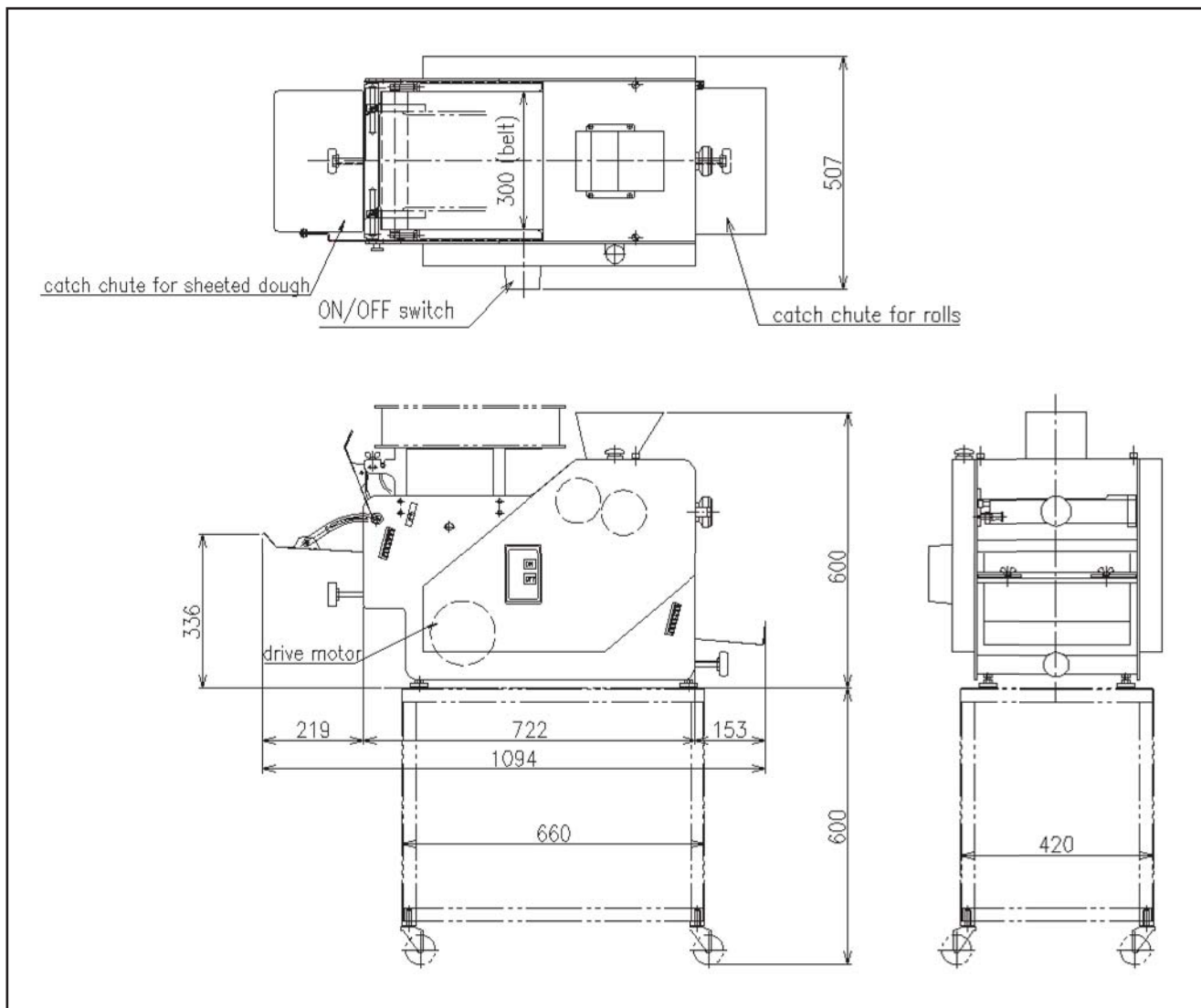
NEW RELEASE!
furnished with Teflon Roller same as advanced type

● Various Functions in Compact Body!

- 100V Power Source
Can be operated from anywhere with ease.
- Compact yet Powerful
The dough from 20g to 350g can be moulded easily.
- Reasonably Priced while Using Quality Teflon Rollers.
Gentle moulding won't damage the dough.
- Rear Roller Section Can Be Opened
Easy maintenance!
Clean operation all the time.



OSHIKIRI



■ Specifications

MODEL	MJ
MOULDING RANGE	20g - 350g
CAPACITY	800pcs/h
MACHINE SIZE	W507 × L1094 × H600 mm
MACHINE WEIGHT	76kg
POWER SOURCE	single phase 100V 50Hz/60Hz
MOTOR OUTPUT	0.2kW

Note) Specifications and dimensions may be subject to change without prior notice.

Note) Supply voltage is in accordance with the one in the country machine is used.

Transformer might be needed according to the specifications.

OSHIKIRI MACHINERY LTD.

<https://www.oshikiri.com/>

4, Kirihara-cho, Fujisawa-shi, Kanagawa, 252-0811 Japan

Phone: 0466-44-6184 Fax: 0466-44-6187 E-mail: intl@oshikiri.com

Oshikiri Corporation of America

10425 Drummond Road, Philadelphia, Pennsylvania 19154-3898

Phone: 215-637-6005 Fax: 215-637-6041 E-mail: oshikiri-production@msn.com