

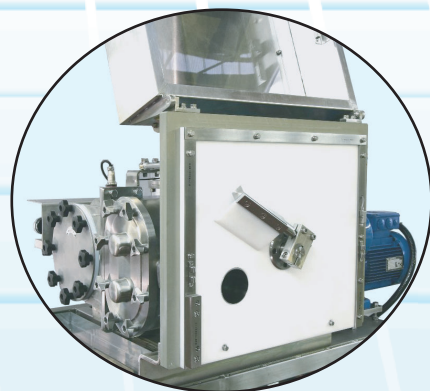
# EXTRUSION TYPE *DOUGH DIVIDER* Model CBD1

- UHMW Single auger design for gentle dough handling and easy maintenance
- UHMW Rotary cut-off knife
- Venturi style vacuum system

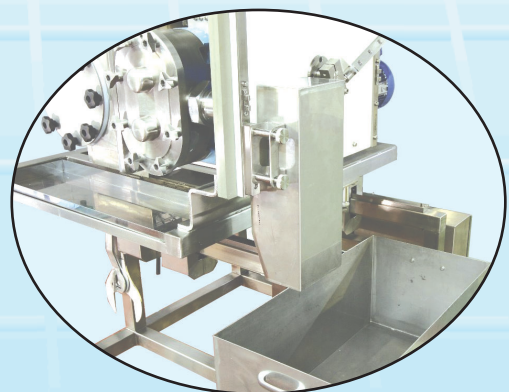
## Push-Back feature with Air cylinder

- Quickly stabilize dividing weight

**Washable! High Speed! Accurate! Push - Back!**



● Cutting blade and nozzle



● Cleaning attachment in push-back position

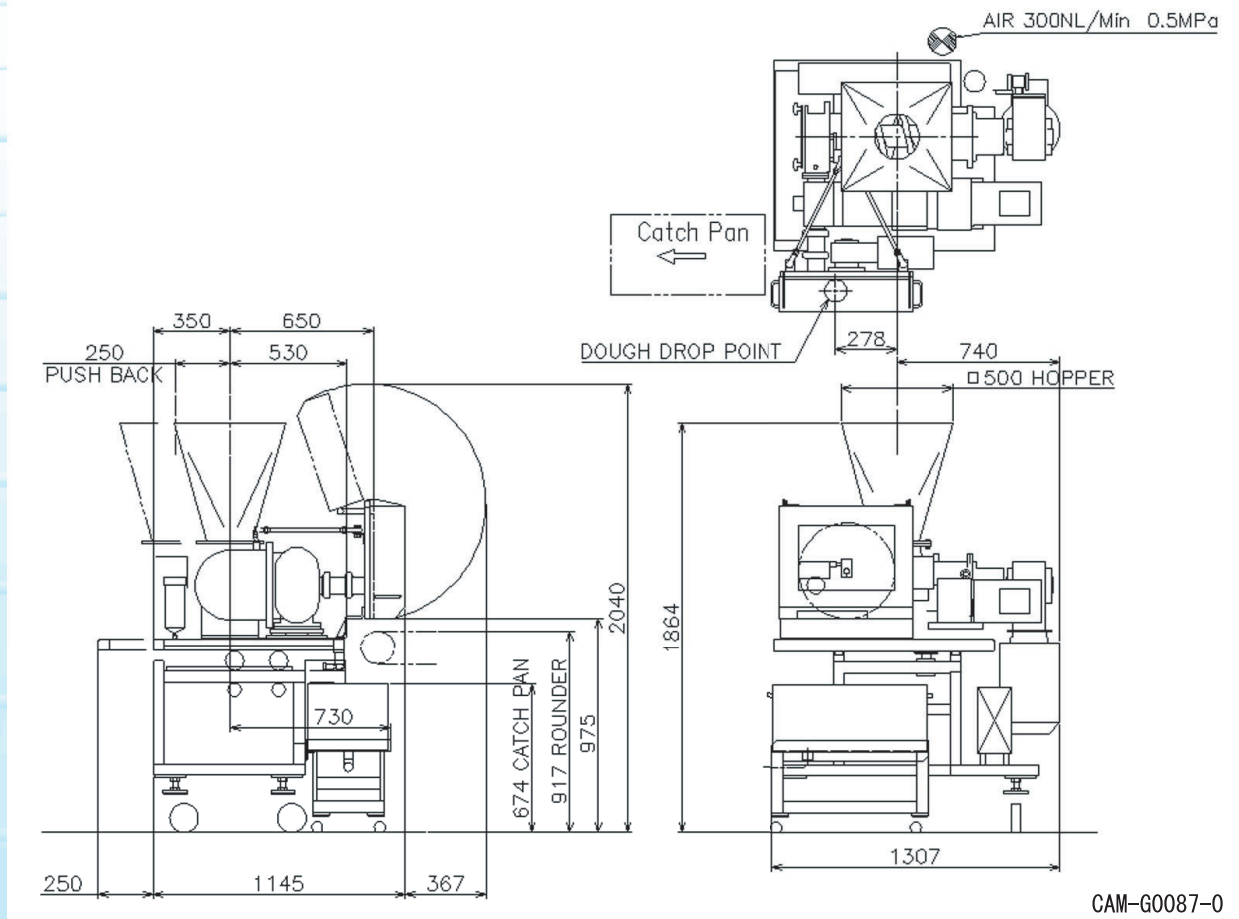
# Dough Divider

# Model CBD1

## ● Specifications

	Maximum Throughput	Scaling Range	Speed Range (max.ppm)
Single cut-off	6800kg/hr 15000Lbs./hr	255 - 1077g 9 - 38 oz	200
Dual cut-off	6800kg/hr 15000Lbs./hr	255 -1077g 9 - 38 oz	300

Electrical Requirements	15KVA -- 5000 Lbs./hr (2268kg/hr) capacity 23KVA -- 10000 Lbs./hr (4536kg/hr) capacity 31KVA -- 15000 Lbs./hr (6800kg/hr) capacity
Air Requirements	300L (Normal)/min
Water Requirements	37.85L/min (cleaning only) 10gal./min (cleaning only)



Note) Specifications and dimensions are subject to change without prior notice.

Note) Transformer might be needed depending upon the specifications.

## OSHIKIRI MACHINERY LTD.

<https://www.oshikiri.com/>

4, Kirihara-cho, Fujisawa-shi, Kanagawa, 252-0811 Japan  
Phone: 0466-44-6184 Fax: 0466-44-6187 E-mail: intl@oshikiri.com

Oshikiri Corporation of America  
10425 Drummond Road, Philadelphia, Pennsylvania 19154-3898  
Phone: 215-637-6005 Fax: 215-637-6041 E-mail: oshikiri-production@msn.com



OSHIKIRI Website