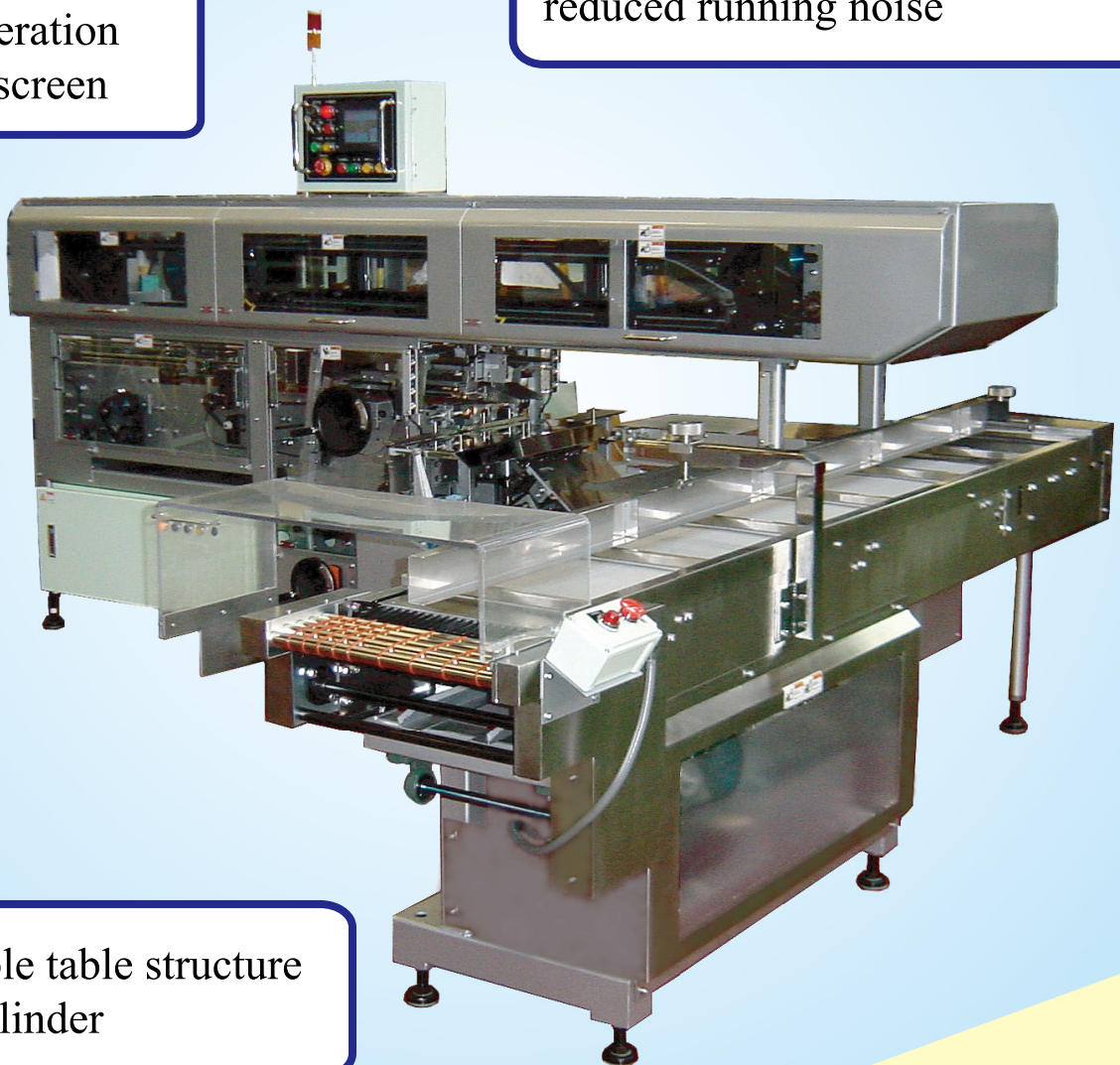


# Model SB21 Servo Bagger

Easier operation and maintenance by using servomechanics for all driving systems, while maintaining advantages of conventional models.

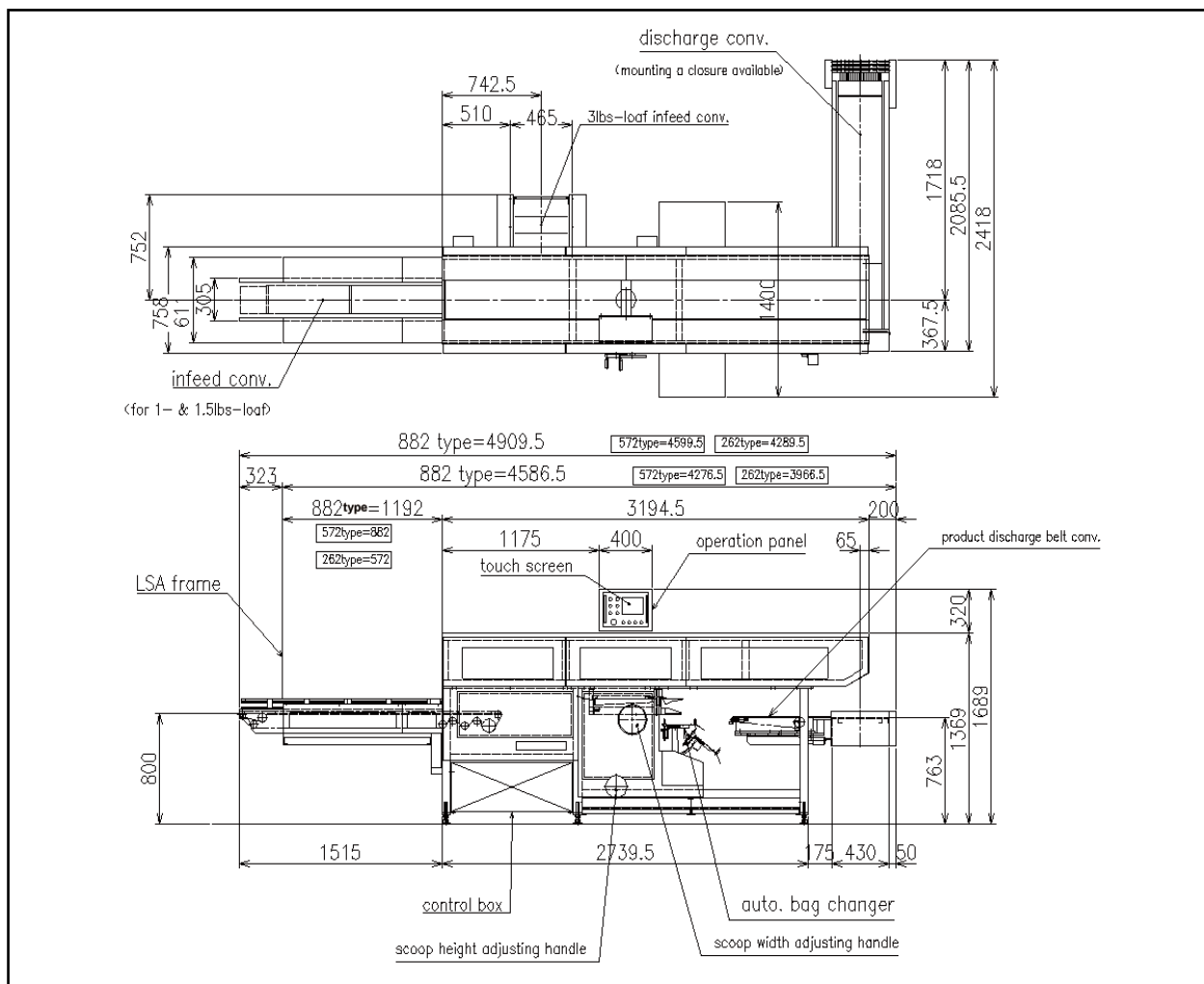
Easier operation  
by touch screen

Simplified driving system greatly  
reduced running noise



More reliable table structure  
by servo cylinder

Easier maintenance by  
reducing expendable parts



## Specifications

No. of paddles	4 pcs of short paddle (only for 1- and 1.5-pound loaf) 4 pcs of long paddle (for 1-, 1.5- and 3-pound loaf)
Operation	by touch screen with pushbuttons and display
Capacity	60 pcs/min
Bagging size	W 90-180mm L 100-400mm H 85-140mm
No. of bags	500 pcs/1 table
Bag change	Automatic bag change
Safety devices	Servo overload detection for each shaft Automatic reset to home position for each shaft
Detectors	No-bag detection by proximity switch Defective bagging detection by beam sensor Bag face levelling detection by proximity switch
Other function	Error displays on touch screen Change or correction of each timing data available on touch screen

Power Source	AC200V 3Phases
Motors	Overhead (servo motor 0.2kW)
	Scoop (servo motor 0.2kW)
	Infeed conveyor (servo motor 0.2kW)
	Discharge conveyor (servo motor 0.2kW)
	Product discharge belt conveyor drive (motor pulley 90W)
	Product discharge belt conveyor stretch (servo motor 85W)
	Table elevation robo cylinder (servo motor 0.13kW)
	Infeed conveyor for 3-pound loaf (servo motor 0.2kW) optional
※Total motor output varies dependent upon layout.	
Air consumption	700L(Normal)/min
Air pressure	0.6~0.8MPa, dry air
Machine weight	1250kg (standard)

## Special equipment

Bypass conveyor for 3-pound loaf manual feed, with elevation
Base-up, etc.

Note) Specifications and dimensions may be subject to change without prior notice.

Note) Supply voltage is in accordance with the one in the country machine is used.

Transformer might be needed according to the specifications.

**OSHIKIRI MACHINERY LTD.** <https://www.oshikiri.com/>

4, Kiriara-cho, Fujisawa-shi, Kanagawa, 252-0811 Japan  
 Phone: 0466-44-6184 Fax: 0466-44-6187 E-mail: intl@oshikiri.com

Oshikiri Corporation of America  
 10425 Drummond Road, Philadelphia, Pennsylvania 19154-3898  
 Phone: 215-637-6005 Fax: 215-637-6041 E-mail: oshikiri-production@msn.com

