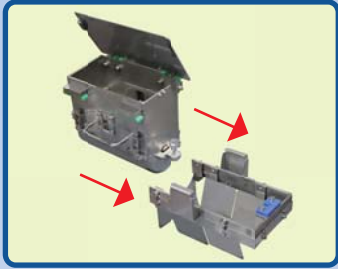


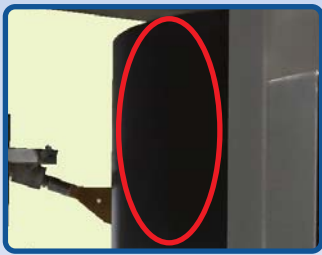
Vertical Rounder Model RVS

Retaining the basic functionality of an RV, Compact!



Point 1

Removable
flour duster



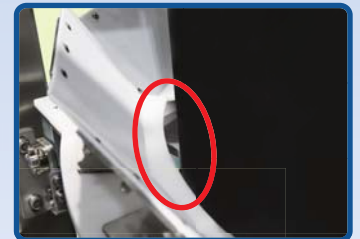
Point 3

High durability
coated stainless
steel drum



Point 2

Track distance from
drum is adjustable.



Point 4

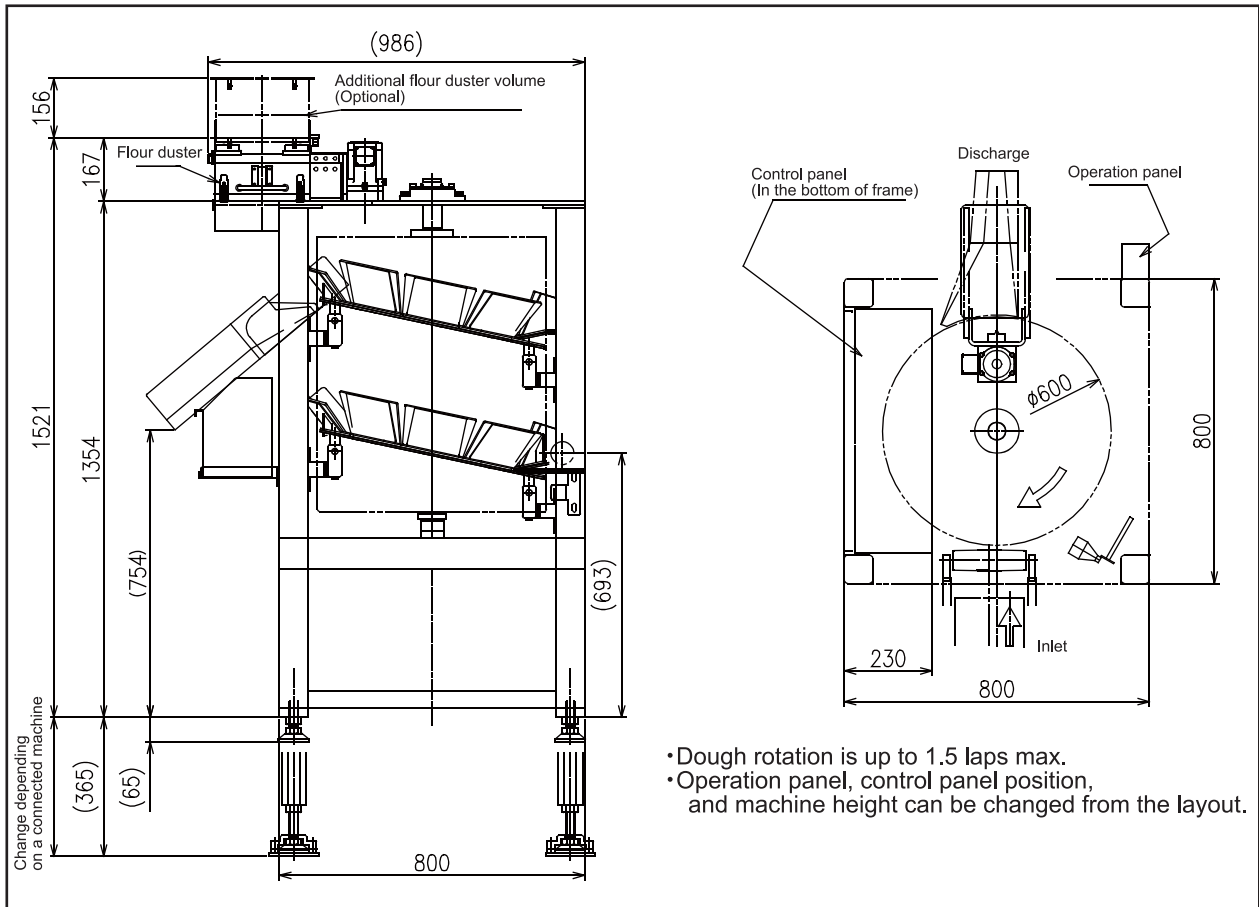
Easier cleaning
(Optional)

- Dough rounding capability
Adjustable distance between track and drum.
This provides optimal dough rounding. (Angle adjustment is optional)
- High-durability Teflon coating
The drum body is made of stainless steel for long lasting efficiency even with raisin dough.
- Significantly increased hygiene
The removal flour duster makes it easier to clean.
Easy to reach between the blade tip board and the drum. (Optional)

Vertical Rounder

Model RVS

■ Dimensional Drawing



■ Specifications

Model	RVS
Dough Weight	20~400g
Standard Capacity	6000pcs/h : 20~110g 4800pcs/h : 110~300g *Please consult with your sales representative for other information.
Motor output	Drum motor 0.75kW (VFD) Flour duster motor 0.06kW (VFD)
Air Consumption	100L/min 0.5MPa
Machine Weight	Approx. 650kg

【Optional】

- Adjustable blade tip rail
- Adjustable angle of the rounding plate
- Removable rounding plate
- Stainless steel body frame
- Air blow nozzle
- Additional hopper for the flour duster

Note) Specifications and dimensions are subject to change without prior notice.
Note) Transformer might be needed depending upon the specifications.

OSHIKIRI MACHINERY LTD.

<https://www.oshikiri.com/>

4, Kirihara-cho, Fujisawa-shi, Kanagawa, 252-0811 Japan
Phone: 0466-44-6184 Fax: 0466-44-6187 E-mail: intl@oshikiri.com

Oshikiri Corporation of America
10425 Drummond Road, Philadelphia, Pennsylvania 19154-3898
Phone: 215-637-6005 Fax: 215-637-6041 E-mail: oshikiri-production@msn.com



OSHIKIRI Website