

Model RQ / RQS Conical Rounder

◎ Rounding range 30 to 230g

Dough pieces will rarely be doubled as the circumference speed at infeed is the fastest and it gradually becomes slow as it goes to the discharge.

Flour duster

Doubled dough detector

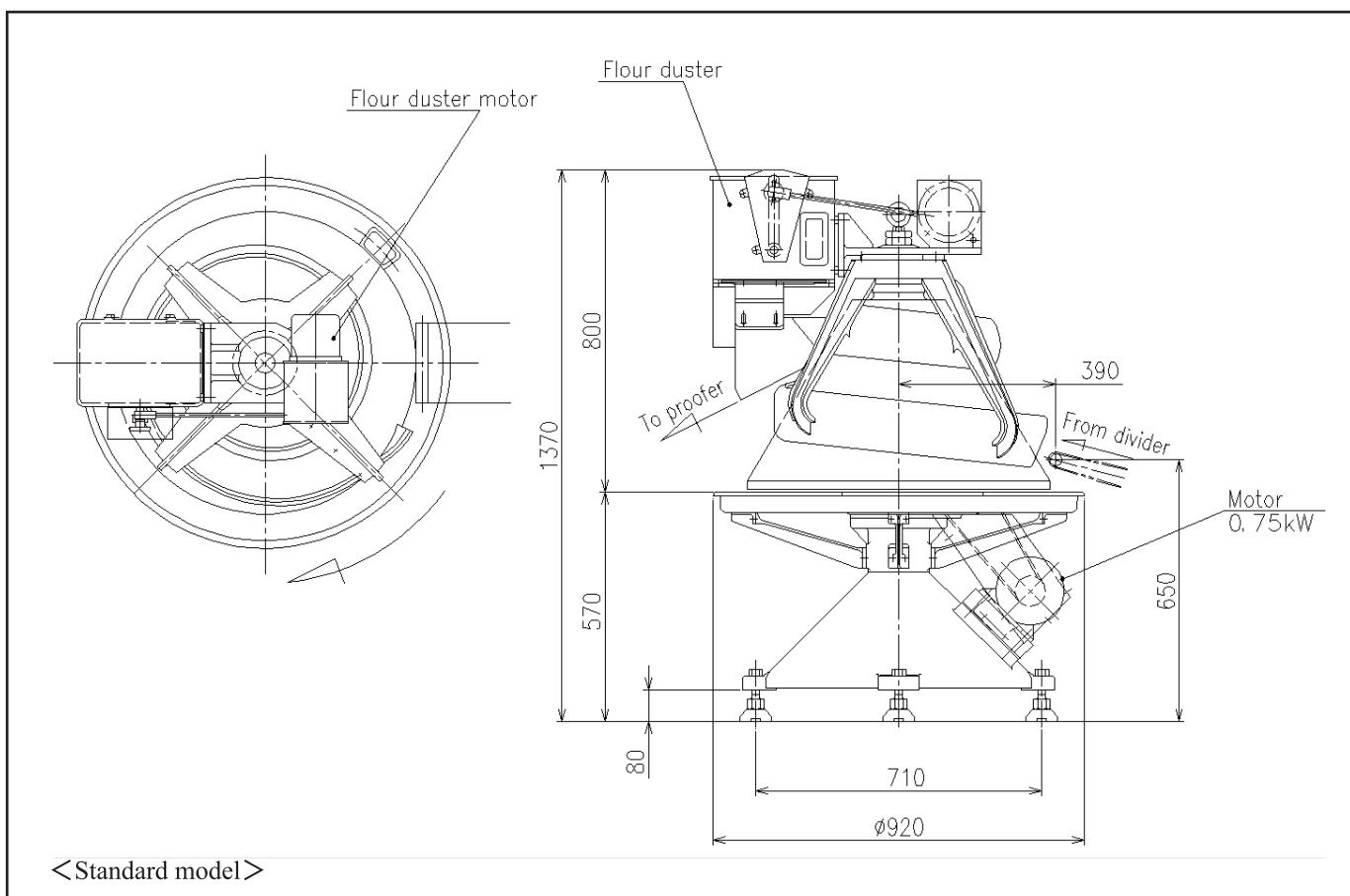
<Option >

Lifting the track by 50mm provides a 20mm clearance between track and cone.

Track

- ◎ One piece without any joint.
- ◎ Coated track without paint
- ◎ you sanitary operation.

<A model equipped with 2 options.
Model RQS>



■ Specifications

	Standard	for connecting with proofer (optional)	with track lift-up unit (optional)
Capacity	4800 pcs/h		
Rounding weight	30g~230g		
Power Source	AC200V 3Phases		
Motor	0.75kW 6P		
Flour duster motor	0.09kW		
Machine weight	370kg		
Machine height	1370mm	1670mm	1557mm
Machine width	$\phi 920$ mm		
Cone diameter	$\phi 750$ mm		

Note) Specifications and dimensions may be subject to change without prior notice.

Note) Supply voltage is in accordance with the one in the country machine is used.

Transformer might be needed according to the specifications.

OSHIKIRI MACHINERY LTD. <http://www.oshikiri.com/>

4, Kirihara-cho, Fujisawa-shi, Kanagawa, 252-0811 Japan
 Phone: 0466-44-6184 Fax: 0466-44-6187 E-mail: intl@oshikiri.com

Oshikiri Corporation of America
 10425 Drummond Road, Philadelphia, Pennsylvania 19154-3898
 Phone: 215-637-6005 Fax: 215-637-6041 E-mail: oshikiri-production@msn.com