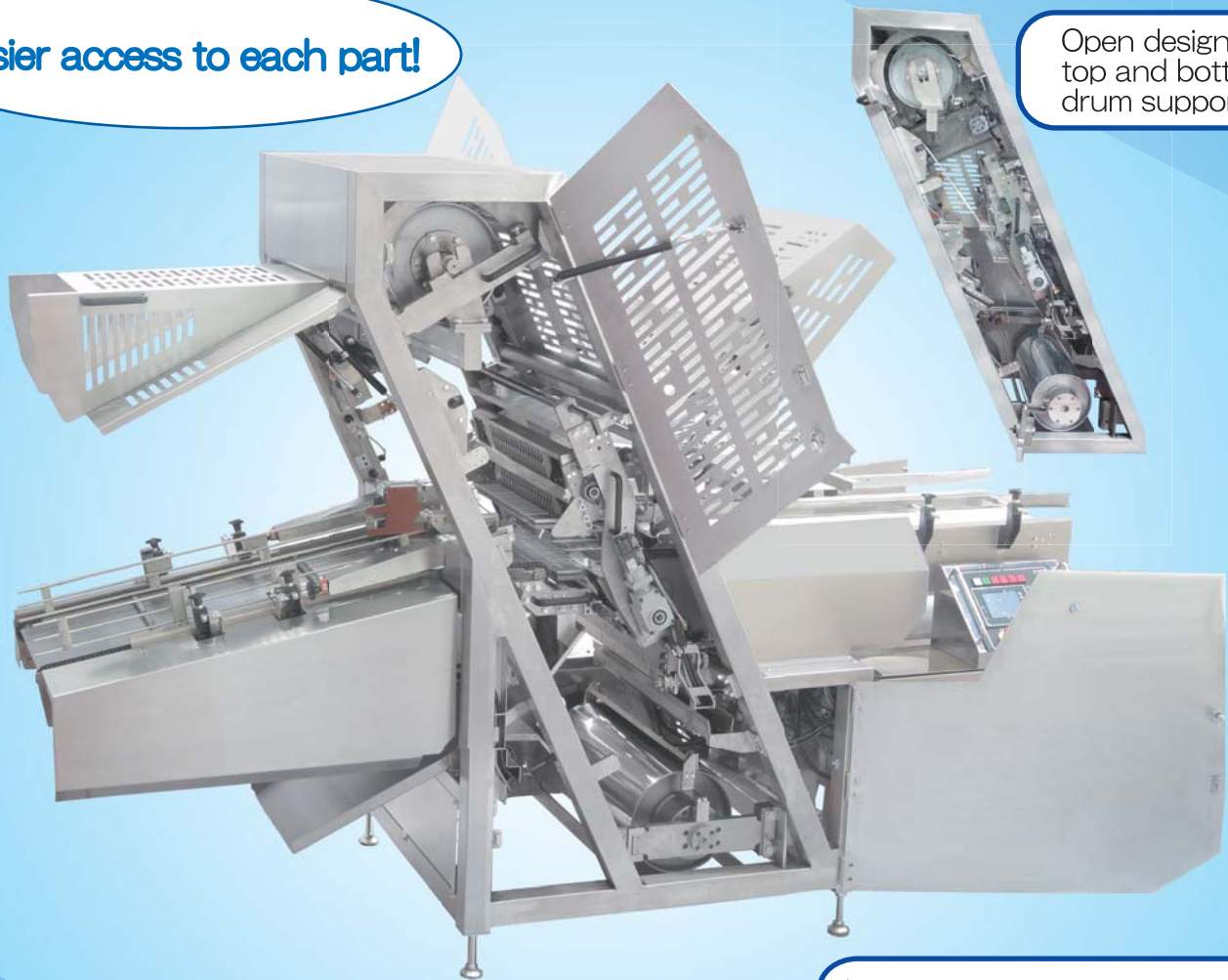


# Model **BSS** **Band Slicer**

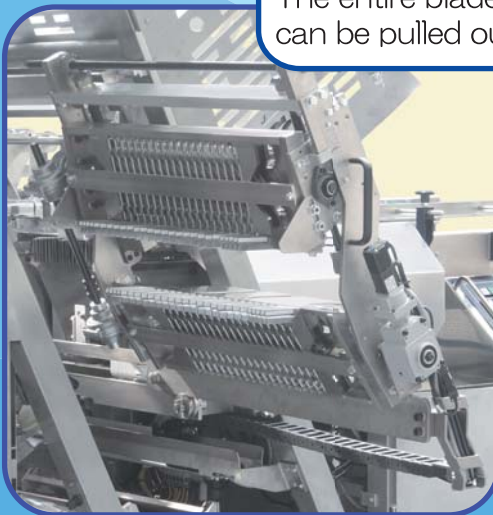
*Easier cleaning and maintenance,  
as well as much better straight slicing performance!*

Easier access to each part!

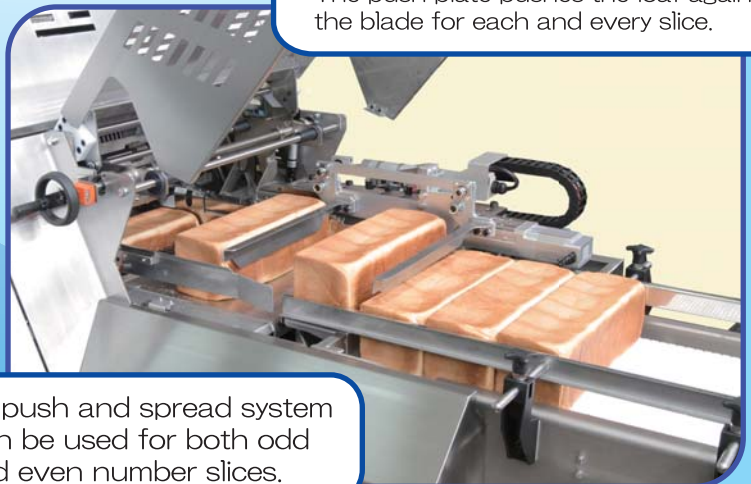
Open design for  
top and bottom  
drum supports.



The entire blade guide unit  
can be pulled out.



◆Single loaf slicing system  
The push plate pushes the loaf against  
the blade for each and every slice.



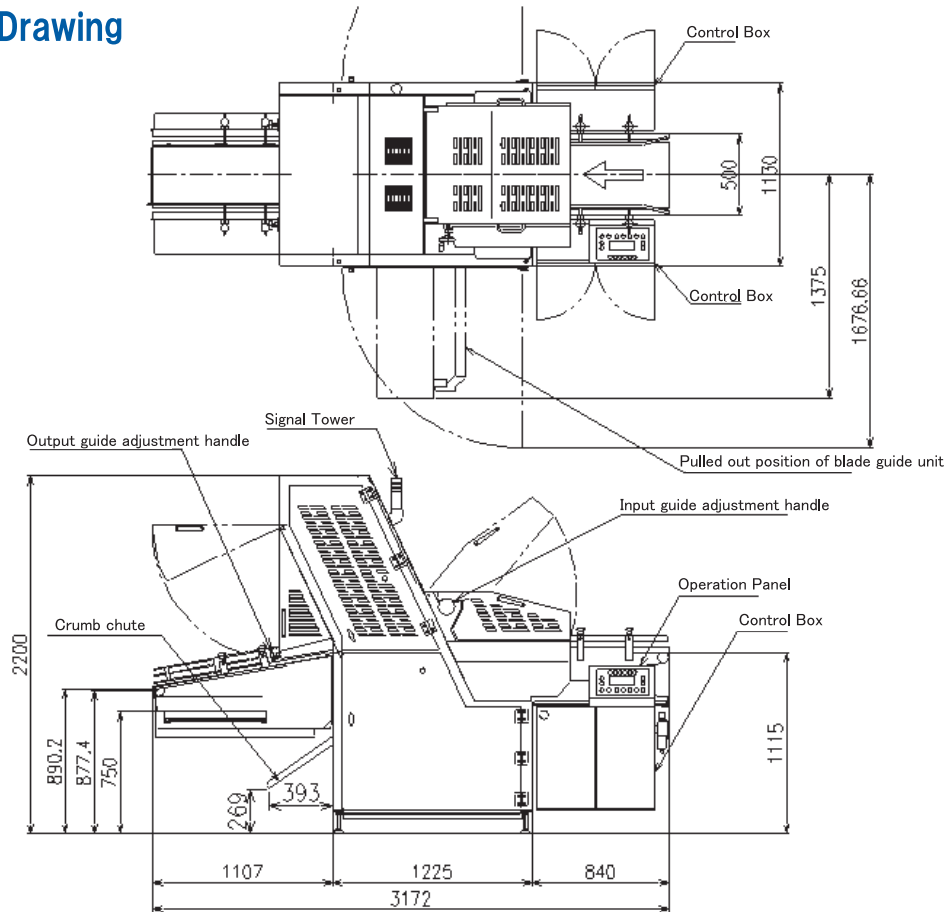
◆Loaf push and spread system  
Can be used for both odd  
and even number slices.

**OSHIKIRI**

# BAND SLICER

# Model BSS

## Dimensional Drawing



## Specifications

BAND SLICER <BSS>	
Throughput	20 pcs/min (1 Loaf)
Slice thickness	14mm to 29mm
Loaf size	Length 360mm to 385mm
	Height 110mm to 130mm
	Width 110mm to 180mm
Power source	AC200V 3Ph
Electric power	5.0kW
Air requirements	300NL/min
Machine weight	approx. 1500kg



Note) Specifications and dimensions may be subject to change without prior notice.

Note) Supply voltage is in accordance with the one in the country machine is used.

Transformer might be needed according to the specifications.

## OSHIKIRI MACHINERY LTD.

<https://www.oshikiri.com/>

4, Kiriara-cho, Fujisawa-shi, Kanagawa, 252-0811 Japan

Phone: 0466-44-6184 Fax: 0466-44-6187 E-mail: intl@oshikiri.com

Oshikiri Corporation of America

10425 Drummond Road, Philadelphia, Pennsylvania 19154-3898

Phone: 215-637-6005 Fax: 215-637-6041 E-mail: oshikiri-production@msn.com